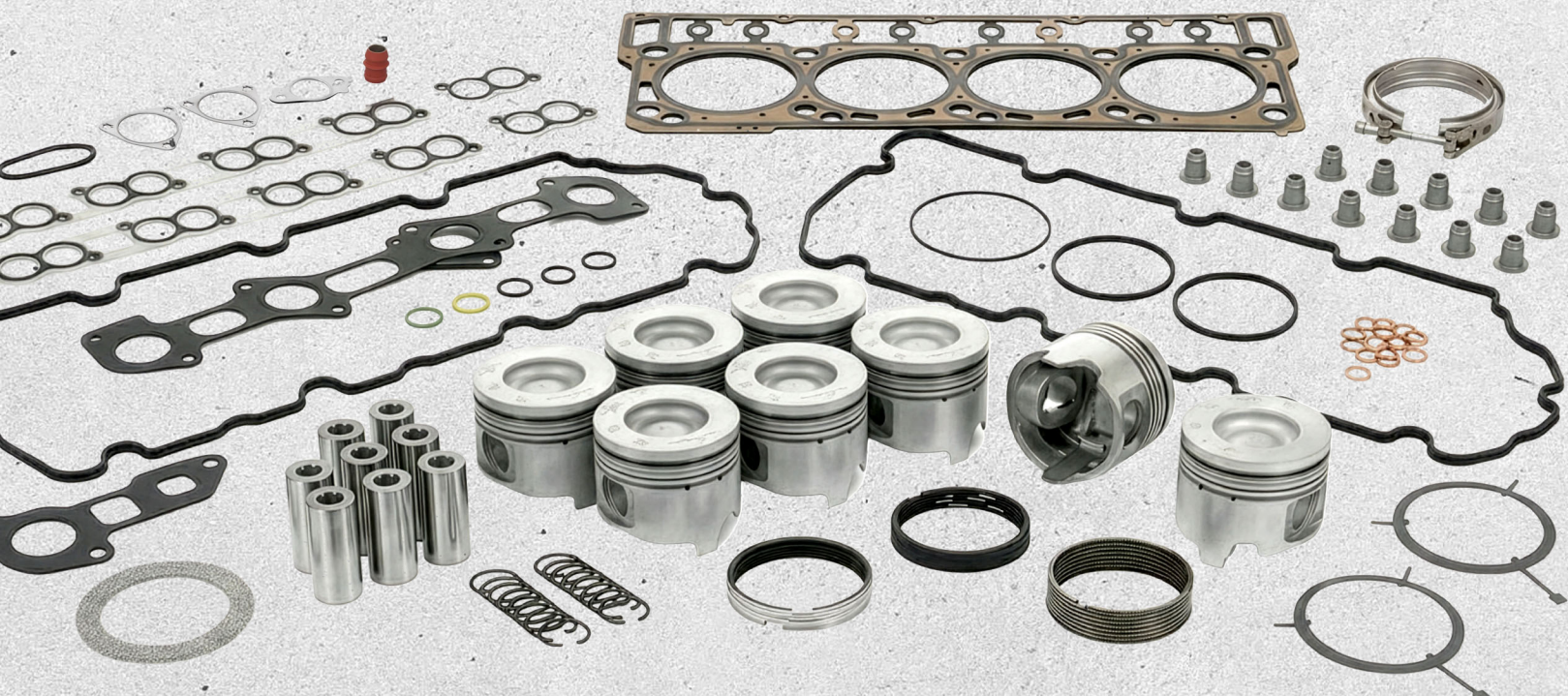


# ENGINE OVERHAUL KITS & GASKET SETS

**UEM** ENGINE OVERHAUL KITS & GASKET SETS



Das Original



3.0L/182ci DODGE/MERCEDES-BENZ SPRINTER

2007-2020 Dodge/Mercedes-Benz Sprinter V6 EXM, OM642.896/.898/.899



KIT NO. CK20000

PART#	DESCRIPTION	NOTES
7226DKT.STD	Piston & Rings Kit	Also Available (.5MM)
XA7226-STDK1	SOA-Piston & Gapless Ring Kit <sup>1</sup>	Also Available (.5MM)
XA7226-STDK2	SOA-Piston & Standard Ring Kit	Also Available (.5MM)
GK20000-U	Upper Gasket Set	Includes Head Gasket
GK20000-L1	Lower Gasket Set	Excludes Housing & Rear Main Seal
GK20000-L2	Lower Gasket Set	w/Steel Housing & Rear Main Seal
GK20000-L3	Lower Gasket Set	w/Aluminum Housing & Rear Main Seal

5.9L/369ci DODGE/RAM

2005-2009 Dodge Ram 2500-3500 (ETH) VIN:C / 24V HO ISB Cummins



KIT NO. CK20008

PART#	DESCRIPTION	NOTES
7195DKT.STD	Piston & Rings Kit	Also Available (.5MM, 1.0MM)
DU10202-STDK1	Piston & Rings Kit	.010" Reduced Compression Height; Also Available (.5MM, 1.0MM)
XA7195-STDK1	SOA-Piston & Gapless Ring Kit <sup>1</sup>	Also Available (.5MM, 1.0MM)
XA7195-STDK2	SOA-Piston & Standard Ring Kit	Also Available (.5MM, 1.0MM)
GK20008-U	Upper Gasket Set	Includes Head Gasket
GK20008-L	Lower Gasket Set	

6.7L/409ci DODGE/RAM

2007-2018 Dodge Ram 2500-5500 (ETJ/ETK) VIN:A,L / 24V ISB Cummins



KIT NO. CK20009

PART#	DESCRIPTION	NOTES
7201DKT.STD	Piston & Rings Kit	Also Available (.5MM, .75MM, 1.0MM)
DU10175-STDK1	Piston & Rings Kit	.010" Reduced Compression Height; Also Available (.5MM, .75MM, 1.0MM)
DU10169-STDK1	Piston & Rings Kit	Hammer Series; Also Available (.5MM, .75MM, 1.0MM)
XA7201-STDK1	SOA-Piston & Gapless Ring Kit <sup>1</sup>	Also Available (.5MM, .75MM, 1.0MM)
XA7201-STDK2	SOA-Piston & Standard Ring Kit	Also Available (.5MM, .75MM, 1.0MM)
GK20009-U	Upper Gasket Set	Includes Head Gasket
GK20009-L	Lower Gasket Set	

6.7L/409ci DODGE/RAM

2009-2013 Dodge Ram (QSB) 24V ISB Cummins



KIT NO. CK20010

PART#	DESCRIPTION	NOTES
7202DKT.STD	Piston & Rings Kit	Also Available (.5MM, .75MM, 1.0MM)
DU10208-STDK1	Piston & Rings Kit	.010" Reduced Compression Height; Also Available (.5MM, .75MM, 1.0MM)
XA7202-STDK1	SOA-Piston & Gapless Ring Kit <sup>1</sup>	Also Available (.5MM, .75MM, 1.0MM)
XA7202-STDK2	SOA-Piston & Standard Ring Kit	Also Available (.5MM, .75MM, 1.0MM)
GK20009-U	Upper Gasket Set	Includes Head Gasket
GK20009-L	Lower Gasket Set	

6.7L/409ci DODGE/RAM

2013-2018 Dodge Ram 2500-5500 (ETK) VIN:L / 24V ISB Cummins



KIT NO. CK20011

PART#	DESCRIPTION	NOTES
7224DKT.STD	Piston & Rings Kit	Also Available (.5MM, 1.0MM)
7234DKT.STD	Piston & Rings Kit	.010" Reduced Compression; Also Available (.5MM, 1.0MM)
DU10160-STDK1	Piston & Rings Kit	.015" Reduced Compression; Also Available (.5MM, 1.0MM)
XA7224-STDK1	SOA-Piston & Gapless Ring Kit <sup>1</sup>	Also Available (.5MM, 1.0MM)
XA7224-STDK2	SOA-Piston & Standard Ring Kit	Also Available (.5MM, 1.0MM)
XA7234-STDK1	SOA-Piston & Gapless Ring Kit <sup>1</sup>	.010" Reduced Compression; Also Available (.5MM, 1.0MM)
XA7234-STDK2	SOA-Piston & Standard Ring Kit	.010" Reduced Compression; Also Available (.5MM, 1.0MM)
GK20009-U	Upper Gasket Set	Includes Head Gasket
GK20009-L	Lower Gasket Set	

**DODGE**

<sup>1</sup> Includes total seal gapless second ring

6.4L/390CI FORD

2008-2010 Ford F250 - F550 VIN: R / Navistar Power Stroke



CHOOSE APPROPRIATE PART NUMBER.

KIT NO. CK20016

PART#	DESCRIPTION	NOTES
7205DKT.STD	Piston & Rings Kit	Also Available (.25MM, .5MM, .75MM, 1.0MM)
7215DKT.STD	Piston & Rings Kit	.010" Reduced Compression; Also Available (.25MM, .5MM, .75MM, 1.0MM)
XA7205-STDK1	SOA-Piston & Gapless Ring Kit <sup>1</sup>	Also Available (.25MM, .5MM, .75MM, 1.0MM)
XA7205-STDK2	SOA-Piston & Standard Ring Kit	Also Available (.25MM, .5MM, .75MM, 1.0MM)
XA7215-STDK1	SOA-Piston & Gapless Ring Kit <sup>1</sup>	.010" Reduced Compression; Also Available (.25MM, .5MM, .75MM, 1.0MM)
XA7215-STDK2	SOA-Piston & Standard Ring Kit	.010" Reduced Compression; Also Available (.25MM, .5MM, .75MM, 1.0MM)
GK20016-U	Upper Gasket Set	Includes Head Gasket
GK20016-L	Lower Gasket Set	

6.4L/390CI FORD

2008-2016 Ford F250 - F550 / Navistar MaxxForce 7 Power Stroke



CHOOSE APPROPRIATE PART NUMBER.

KIT NO. CK20017

PART#	DESCRIPTION	NOTES
7212DKT.STD	Piston & Rings Kit	Also Available (.25MM, .5MM, .75MM, 1.0MM)
7222DKT.STD	Piston & Rings Kit	.010" Reduced Compression; Also Available (.25MM, .5MM, .75MM, 1.0MM)
7222DTKT.STD	Piston & Rings Kit	.010" Reduced Compression; Also Available (.25MM, .5MM, .75MM, 1.0MM)
XA7212-STDK1	SOA-Piston & Gapless Ring Kit <sup>1</sup>	Also Available (.25MM, .5MM, .75MM, 1.0MM)
XA7212-STDK2	SOA-Piston & Standard Ring Kit	Also Available (.25MM, .5MM, .75MM, 1.0MM)
XA7222-STDK1	SOA-Piston & Gapless Ring Kit <sup>1</sup>	.010" Reduced Compression; Also Available (.25MM, .5MM, .75MM, 1.0MM)
XA7222-STDK2	SOA-Piston & Standard Ring Kit	.010" Reduced Compression; Also Available (.25MM, .5MM, .75MM, 1.0MM)
GK20016-U	Upper Gasket Set	Includes Head Gasket
GK20016-L	Lower Gasket Set	

6.7L/406CI FORD

2011-2016 Ford F250 - F550 VIN: T / Scorpion 34mm Pin Power Stroke



CHOOSE APPROPRIATE PART NUMBER.



KIT NO. CK20018

PART#	DESCRIPTION	NOTES
7206DKT.STD	Piston & Rings Kit	Also Available (.25MM, .5MM, .75MM, 1.0MM)
7216DKT.STD	Piston & Rings Kit	.010" Reduced Compression; Also Available (.25MM, .5MM, .75MM, 1.0MM)
XA7206-STDK1	SOA-Piston & Gapless Ring Kit <sup>1</sup>	Also Available (.25MM, .5MM, .75MM, 1.0MM)
XA7206-STDK2	SOA-Piston & Standard Ring Kit	Also Available (.25MM, .5MM, .75MM, 1.0MM)
XA7216-STDK1	SOA-Piston & Gapless Ring Kit <sup>1</sup>	.010" Reduced Compression; Also Available (.25MM, .5MM, .75MM, 1.0MM)
XA7216-STDK2	SOA-Piston & Standard Ring Kit	.010" Reduced Compression; Also Available (.25MM, .5MM, .75MM, 1.0MM)
GK20018-U	Upper Gasket Set	Excludes Head Gasket - Choose From Gasket List Below
HG20018-B	Head Gasket (Left)	102.1MM, 1.20MM Thickness
HG20018-A	Head Gasket (Right)	102.1MM, 1.20MM Thickness
GK20018-L	Lower Gasket Set	

<sup>1</sup> Includes total seal gapless second ring

## ELRING FORD OE GASKET WITH ADVANCED HONEYCOMB TECHNOLOGY

ENGINEERED TO OE SPECIFICATIONS FOR ENHANCED  
SEALING PERFORMANCE, DURABILITY, AND  
LONG-LASTING RELIABILITY.



Das Original

ADVANCED  
HONEYCOMB

PART # HG20018-B, HG20018-A

FORD

## 6.7L/406CI FORD

2017-2020 Ford F250 - F550 VIN: T / Scorpion 35mm Pin Power Stroke



CHOOSE APPROPRIATE PART NUMBER

KIT NO. CK20019

PART#	DESCRIPTION	NOTES
7223DKT.STD	Piston & Rings Kit	Also Available (.25MM, .5MM, .75MM, 1.0MM)
7233DKT.STD	Piston & Rings Kit	.010" Reduced Compression; Also Available (.25MM, .5MM, .75MM, 1.0MM)
XA7223-STDK1	SOA-Piston & Gapless Ring Kit <sup>1</sup>	Also Available (.25MM, .5MM, .75MM, 1.0MM)
XA7223-STDK2	SOA-Piston & Standard Ring Kit	Also Available (.25MM, .5MM, .75MM, 1.0MM)
XA7233-STDK1	SOA-Piston & Gapless Ring Kit <sup>1</sup>	.010" Reduced Compression; Also Available (.25MM, .5MM, .75MM, 1.0MM)
XA7233-STDK2	SOA-Piston & Standard Ring Kit	.010" Reduced Compression; Also Available (.25MM, .5MM, .75MM, 1.0MM)
GK20018-U	Upper Gasket Set	Excludes Head Gasket - Choose From Gasket List Below
HG20018-B	Head Gasket (Left)	102.1MM, 1.20MM Thickness
HG20018-A	Head Gasket (Right)	102.1MM, 1.20MM Thickness
GK20018-L	Lower Gasket Set	

## 2.8L/169CI GENERAL MOTORS

2016-2022 GM Truck VIN: Y / Duramax LWN



CHOOSE APPROPRIATE PART NUMBER

KIT NO. CK20021

PART#	DESCRIPTION	NOTES
DU10096-STDK1	Piston & Rings Kit	Also Available (.25MM, .5MM)
XA10096-STDK1	SOA-Piston & Gapless Ring Kit <sup>1</sup>	Also Available (.25MM, .5MM)
XA10096-STDK2	SOA-Piston & Standard Ring Kit	Also Available (.25MM, .5MM)
GK20021-U	Upper Gasket Set	Excludes Head Gasket - Choose From Gasket List Below
279.532	Head Gasket Set	95.3MM, 1.10MM Thickness
279.542	Head Gasket Set	95.3MM, 1.20MM Thickness
279.422	Head Gasket Set	95.3MM, 1.30MM Thickness
GK20021-L	Lower Gasket Set	

## 6.6L/403CI GENERAL MOTORS

2001-2005 GM Truck VIN: 1,2 / Duramax LB7/LLY



CHOOSE APPROPRIATE PART NUMBER

KIT NO. CK20025

PART#	DESCRIPTION	NOTES
7208DKP.STD	Piston & Rings Kit	Also Available (.25MM, .5MM, .75MM, 1.0MM)
7218DKT.STD	Piston & Rings Kit	.010" Reduced Compression; Also Available (.25MM, .5MM, .75MM, 1.0MM)
DU10186-STDK1	Piston & Rings Kit	.020" Reduced Compression; Also Available (.25MM, .5MM, .75MM, 1.0MM)
DU10211-STDK1	Piston & Rings Kit	De-Lipped; Also Available (.25MM, .5MM, .75MM, 1.0MM)
DU10212-STDK1	Piston & Rings Kit	De-Lipped; .010" Reduced Compression; Also Available (.25MM, .5MM, .75MM, 1.0MM)
XA7208-STDK1	SOA-Piston & Gapless Ring Kit <sup>1</sup>	Also Available (.25MM, .5MM, .75MM, 1.0MM)
XA7208-STDK2	SOA-Piston & Standard Ring Kit	Also Available (.25MM, .5MM, .75MM, 1.0MM)
XA7218-STDK1	SOA-Piston & Gapless Ring Kit <sup>1</sup>	.010" Reduced Compression; Also Available (.25MM, .5MM, .75MM, 1.0MM)
XA7218-STDK2	SOA-Piston & Standard Ring Kit	.010" Reduced Compression; Also Available (.25MM, .5MM, .75MM, 1.0MM)
GK20025-U1	Upper Gasket Set	VIN 1 (Excludes Head Gasket - Choose From Gasket List Below)
GK20025-U2	Upper Gasket Set	VIN 2 (Excludes Head Gasket - Choose From Gasket List Below)
541.782	Head Gasket Set (Left)	(Grade A) 105.4MM, 0.95MM Thickness
541.752	Head Gasket Set (Right)	(Grade A) 105.4MM, 0.95MM Thickness
541.792	Head Gasket Set (Left)	(Grade B) 105.4MM, 1.00MM Thickness
541.762	Head Gasket Set (Right)	(Grade B) 105.4MM, 1.00MM Thickness
541.802	Head Gasket Set (Left)	(Grade C) 105.4MM, 1.05MM Thickness
541.772	Head Gasket Set (Right)	(Grade C) 105.4MM, 1.05MM Thickness
355.541	Head Gasket Set (Left)	(REMAN) 106.1MM, 1.05MM Thickness
355.531	Head Gasket Set (Right)	(REMAN) 106.1MM, 1.05MM Thickness
GK20025-L	Lower Gasket	



**NEW UEM ENGINE OVERHAUL KITS INCLUDE DURALLOY PISTONS, PINS, LOCKS, RINGS AND A PREMIUM ELRING OVERHAUL GASKET SET.**

**ORDER YOURS TODAY! 1.800.648.7970**

<sup>1</sup> Includes total seal gapless second ring



6.6L/403CI GENERAL MOTORS

2006-2010 GM Truck VIN: D,2,6 / Duramax LBZ/LMM/LLY



CHOOSE APPROPRIATE PART NUMBER.

KIT NO. CK20026

PART#	DESCRIPTION	NOTES
7210DKP.STD	Piston & Rings Kit	Bushed; Also Available (.25MM, .5MM, .75MM, 1.0MM)
7220DKP.STD	Piston & Rings Kit	Bushed; .010" Reduced Compression; Also Available (.25MM, .5MM, .75MM, 1.0MM)
7240DKP.STD	Piston & Rings Kit	Non-Bushed; Also Available (.25MM, .5MM, .75MM, 1.0MM)
7250DKP.STD	Piston & Rings Kit	Non-Bushed; .010" Reduced Compression; Also Available (.25MM, .5MM, .75MM, 1.0MM)
XA7210-STDK1	SOA-Piston & Gapless Ring Kit <sup>1</sup>	Also Available (.25MM, .5MM, .75MM, 1.0MM)
XA7210-STDK2	SOA-Piston & Standard Ring Kit	Also Available (.25MM, .5MM, .75MM, 1.0MM)
XA7220-STDK1	SOA-Piston & Gapless Ring Kit <sup>1</sup>	.010" Reduced Compression; Also Available (.25MM, .5MM, .75MM, 1.0MM)
XA7220-STDK2	SOA-Piston & Standard Ring Kit	.010" Reduced Compression; Also Available (.25MM, .5MM, .75MM, 1.0MM)
GK20025-U2	Upper Gasket Set	Excludes Head Gasket - Choose From Gasket List Below
541.782	Head Gasket Set (Left)	(Grade A) 105.4MM, 0.95MM Thickness
541.752	Head Gasket Set (Right)	(Grade A) 105.4MM, 0.95MM Thickness
541.792	Head Gasket Set (Left)	(Grade B) 105.4MM, 1.00MM Thickness
541.762	Head Gasket Set (Right)	(Grade B) 105.4MM, 1.00MM Thickness
541.802	Head Gasket Set (Left)	(Grade C) 105.4MM, 1.05MM Thickness
541.772	Head Gasket Set (Right)	(Grade C) 105.4MM, 1.05MM Thickness
355.541	Head Gasket Set (Left)	(REMAN) 106.1MM, 1.05MM Thickness
355.531	Head Gasket Set (Right)	(REMAN) 106.1MM, 1.05MM Thickness
GK20025-L	Lower Gasket	

6.6L/403CI GENERAL MOTORS

2010-2016 GM Truck VIN: L,8 / Duramax LML/LGH



CHOOSE APPROPRIATE PART NUMBER.

KIT NO. CK20027

PART#	DESCRIPTION	NOTES
7225DKP.STD	Piston & Rings Kit	Also Available (.25MM, .5MM, .75MM, 1.0MM)
DU10173-STDK1	Piston & Rings Kit	.005" Reduced Compression; Also Available (.25MM, .5MM, .75MM, 1.0MM)
7235DKP.STD	Piston & Rings Kit	.010" Reduced Compression; Also Available (.25MM, .5MM, .75MM, 1.0MM)
DU10161-STDK1	Piston & Rings Kit	.015" Reduced Compression; Also Available (.25MM, .5MM, .75MM, 1.0MM)
XA7225-STDK1	SOA-Piston & Gapless Ring Kit <sup>1</sup>	Also Available (.25MM, .5MM, .75MM, 1.0MM)
XA7225-STDK2	SOA-Piston & Standard Ring Kit	Also Available (.25MM, .5MM, .75MM, 1.0MM)
XA7235-STDK1	SOA-Piston & Gapless Ring Kit <sup>1</sup>	.010" Reduced Compression; Also Available (.25MM, .5MM, .75MM, 1.0MM)
XA7235-STDK2	SOA-Piston & Standard Ring Kit	.010" Reduced Compression; Also Available (.25MM, .5MM, .75MM, 1.0MM)
GK20027-U	Upper Gasket Set	Excludes Head Gasket - Choose From Gasket List Below
541.782	Head Gasket Set (Left)	(Grade A) 105.4MM, 0.95MM Thickness
541.752	Head Gasket Set (Right)	(Grade A) 105.4MM, 0.95MM Thickness
541.792	Head Gasket Set (Left)	(Grade B) 105.4MM, 1.00MM Thickness
541.762	Head Gasket Set (Right)	(Grade B) 105.4MM, 1.00MM Thickness
541.802	Head Gasket Set (Left)	(Grade C) 105.4MM, 1.05MM Thickness
541.772	Head Gasket Set (Right)	(Grade C) 105.4MM, 1.05MM Thickness
355.541	Head Gasket Set (Left)	(REMAN) 106.1MM, 1.05MM Thickness
355.531	Head Gasket Set (Right)	(REMAN) 106.1MM, 1.05MM Thickness
GK20025-L	Lower Gasket	

<sup>1</sup> Includes total seal gapless second ring



## INCLUDED IN EVERY GASKET KIT! NEED EXTRA?

Dirko™ HT grey | the permanently-elastic, temperature-resistant sealing compound

Dirko grey is a high-temperature sealing compound on a silicone base. Dirko grey cures by reacting with the humidity in the air. The cured sealing compound is permanently resilient. The product is characterized by a very large range of applications.



Das Original

Dirko HT Grey RTV Silicone is also available separately as Part #510.031



KIT NO. CK20028

PART#	DESCRIPTION	NOTES
7227DKP.STD	Piston & Rings Kit	Also Available (.25MM, .5MM, .75MM, 1.0MM)
7237DKP.STD	Piston & Rings Kit	.010" Reduced Compression; Also Available (.25MM, .5MM, .75MM, 1.0MM)
XA7227-STDK1	SOA-Piston & Gapless Ring Kit <sup>1</sup>	Also Available (.25MM, .5MM, .75MM, 1.0MM)
XA7227-STDK2	SOA-Piston & Standard Ring Kit	Also Available (.25MM, .5MM, .75MM, 1.0MM)
XA7237-STDK1	SOA-Piston & Gapless Ring Kit <sup>1</sup>	.010" Reduced Compression; Also Available (.25MM, .5MM, .75MM, 1.0MM)
XA7237-STDK2	SOA-Piston & Standard Ring Kit	.010" Reduced Compression; Also Available (.25MM, .5MM, .75MM, 1.0MM)
GK20028-U	Upper Gasket Set	Excludes Head Gasket - Choose From Gasket List Below
429.123	Head Gasket Set	(Grade A) 105.66M, 1.20MM Thickness
429.133	Head Gasket Set	(Grade B) 105.66M, 1.25MM Thickness
429.143	Head Gasket Set	(Grade C) 105.66M, 1.30MM Thickness
GK20028-L	Lower Gasket Set	

<sup>1</sup> Includes total seal gapless second ring

# DUALOY

## DIESEL PISTONS

PURPOSE-BUILT TO PERFORM UNDER THE EXTREME HEAT AND  
RELENTLESS COMPRESSION OF HARDWORKING DIESEL ENGINES.



CAST AND MACHINED  
IN-HOUSE

AVAILABLE THERMAL BARRIER  
CROWN COATING OPTION

THE HIGHEST LEVEL  
QUALITY AND CONSISTENCY

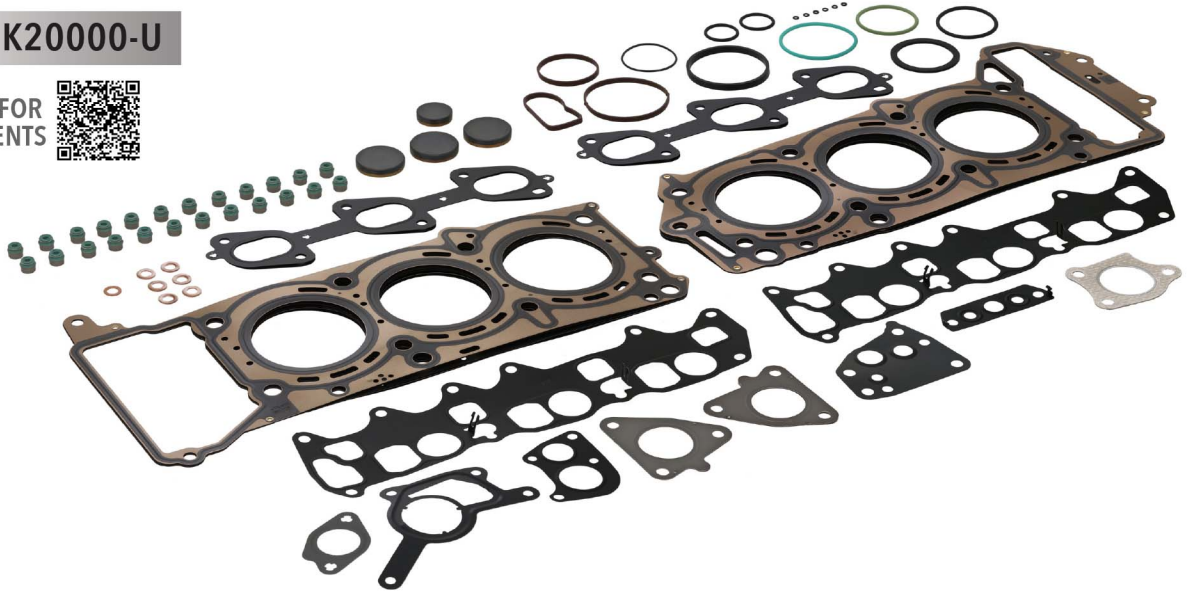
MEETS OR EXCEEDS OEM  
QUALITY AND SPECIFICATIONS

SCAN TO FIND  
YOUR APPLICATION



PART NUMBER **GK20000-U**

SCAN QR FOR  
COMPONENTS



PART NUMBER **GK20000-L1**

SCAN QR FOR  
COMPONENTS

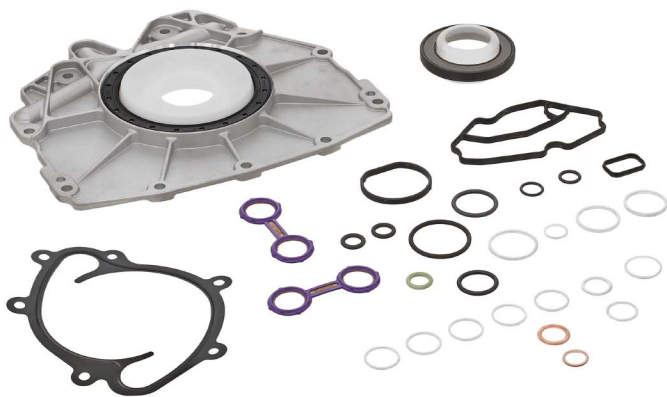


PART NUMBER **GK20000-L2**

SCAN QR FOR  
COMPONENTS



PART NUMBER **GK20000-L3**



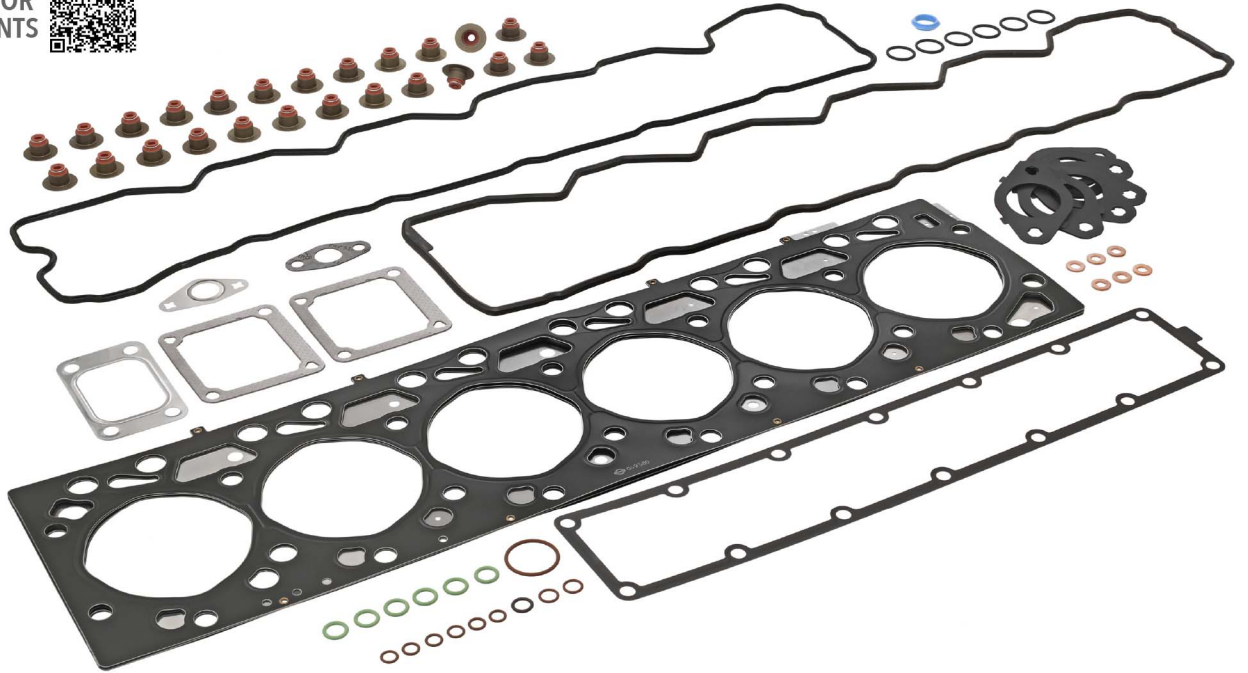
**GASKET SETS**



Das Original

PART NUMBER **GK20008-U**

SCAN QR FOR  
COMPONENTS



PART NUMBER **GK20008-L**

SCAN QR FOR  
COMPONENTS



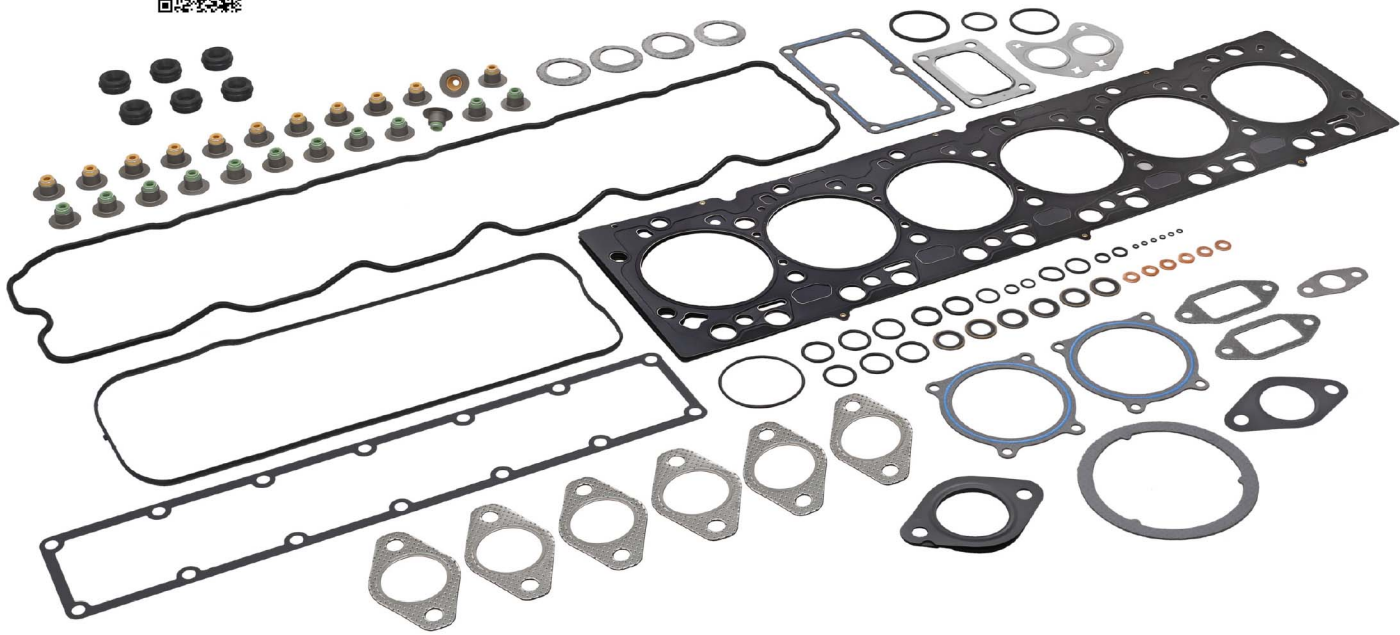
**GASKET SETS**



Das Original

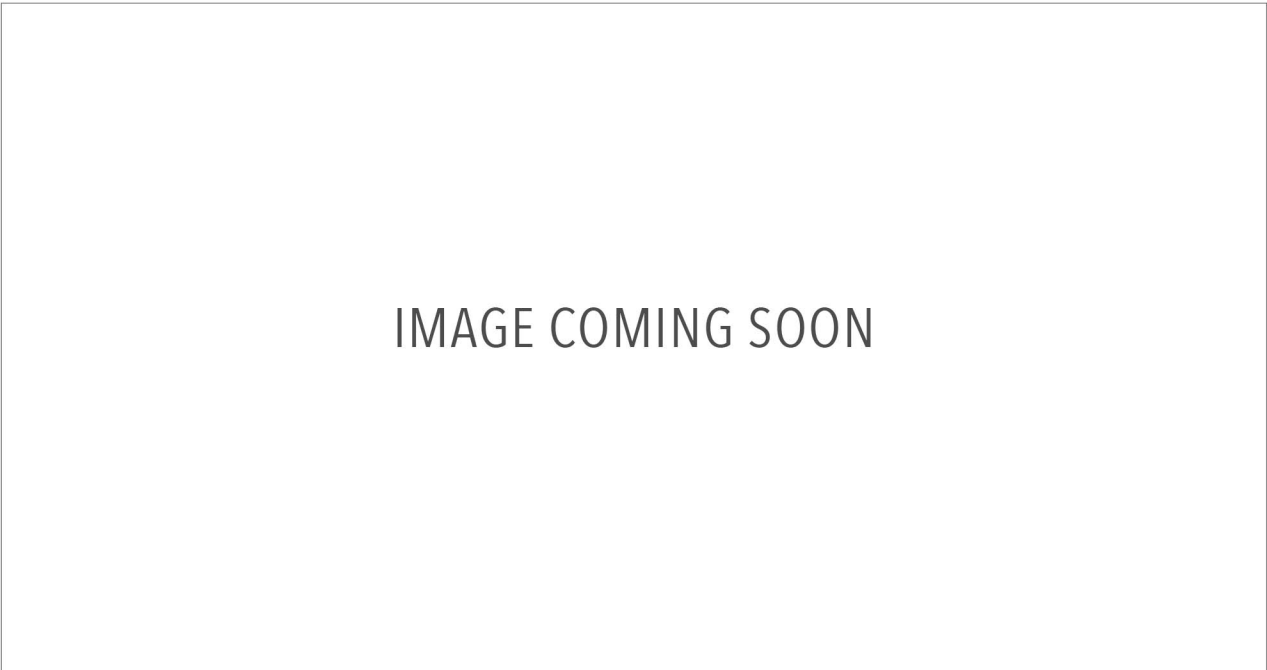
PART NUMBER **GK20009-U**

SCAN QR FOR  
COMPONENTS



PART NUMBER **GK20009-L**

SCAN QR FOR  
COMPONENTS

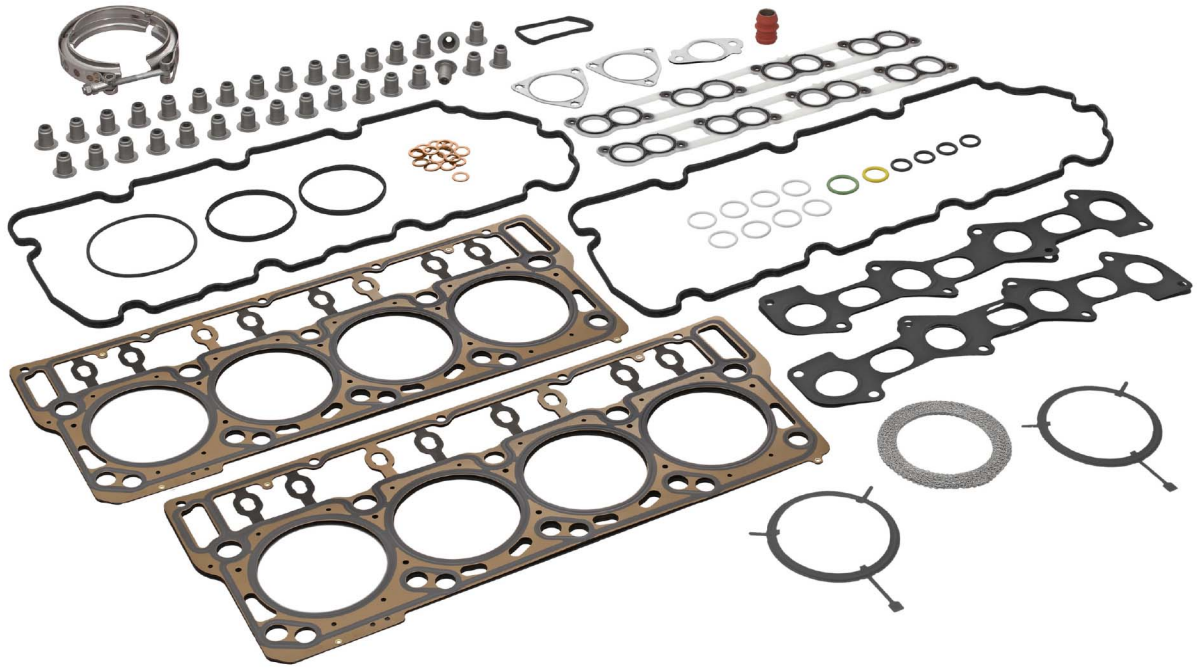


**GASKET SETS**



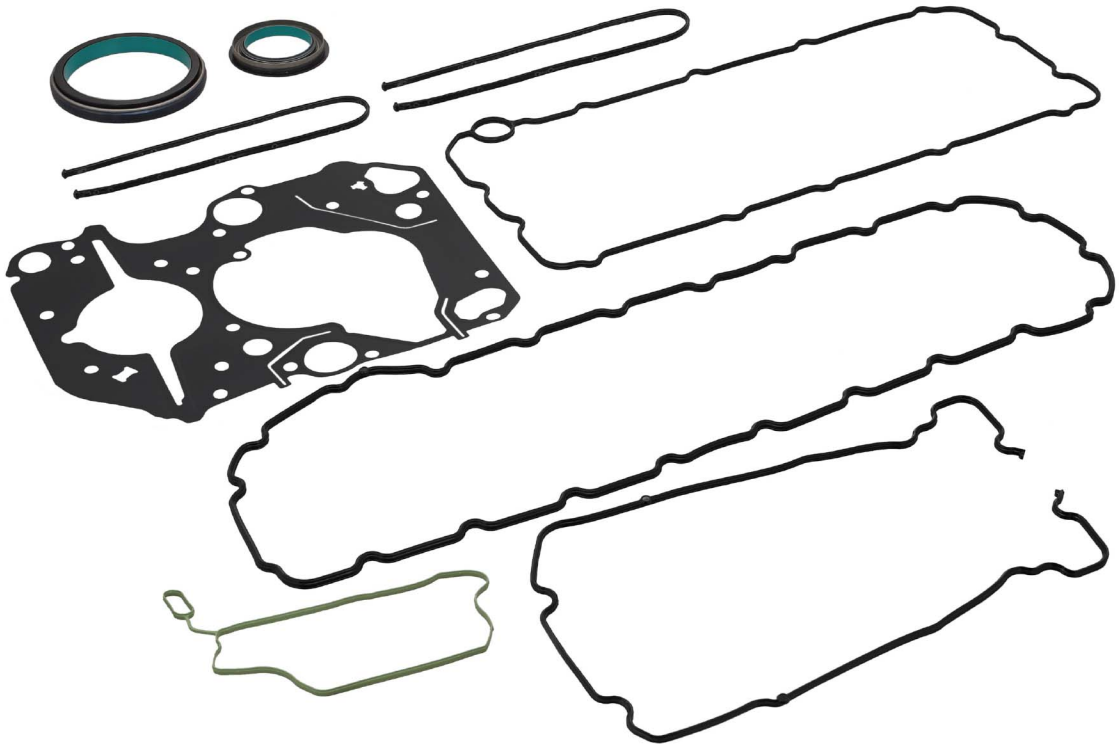
Das Original

PART NUMBER **GK20016-U**



PART NUMBER **GK20016-L**

SCAN QR FOR  
COMPONENTS



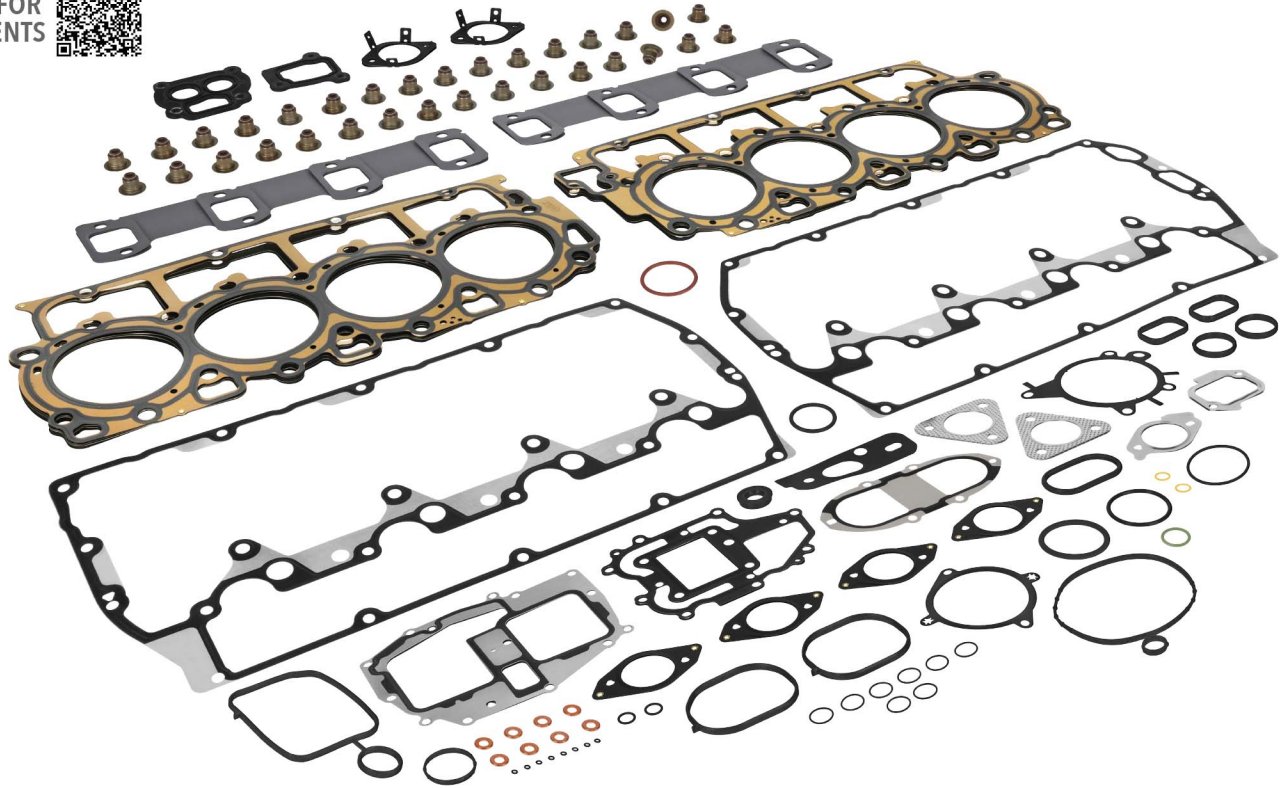
**GASKET SETS**



Das Original

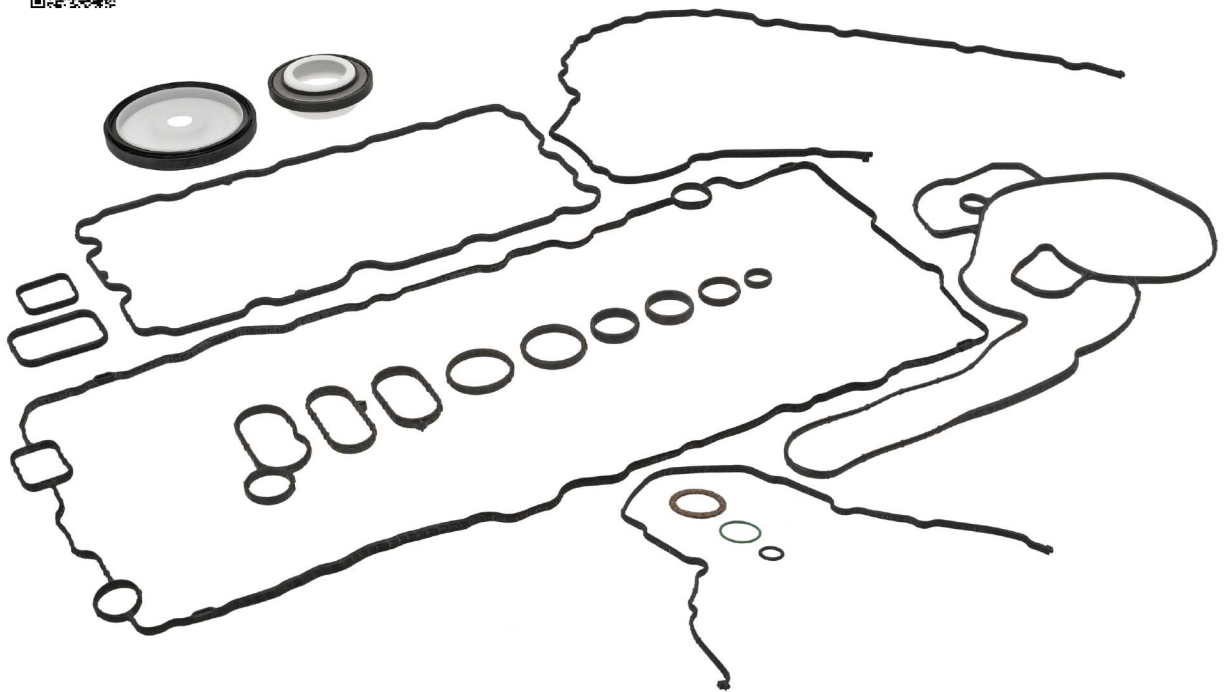
PART NUMBER **GK20018-U**

SCAN QR FOR  
COMPONENTS



PART NUMBER **GK20018-L**

SCAN QR FOR  
COMPONENTS



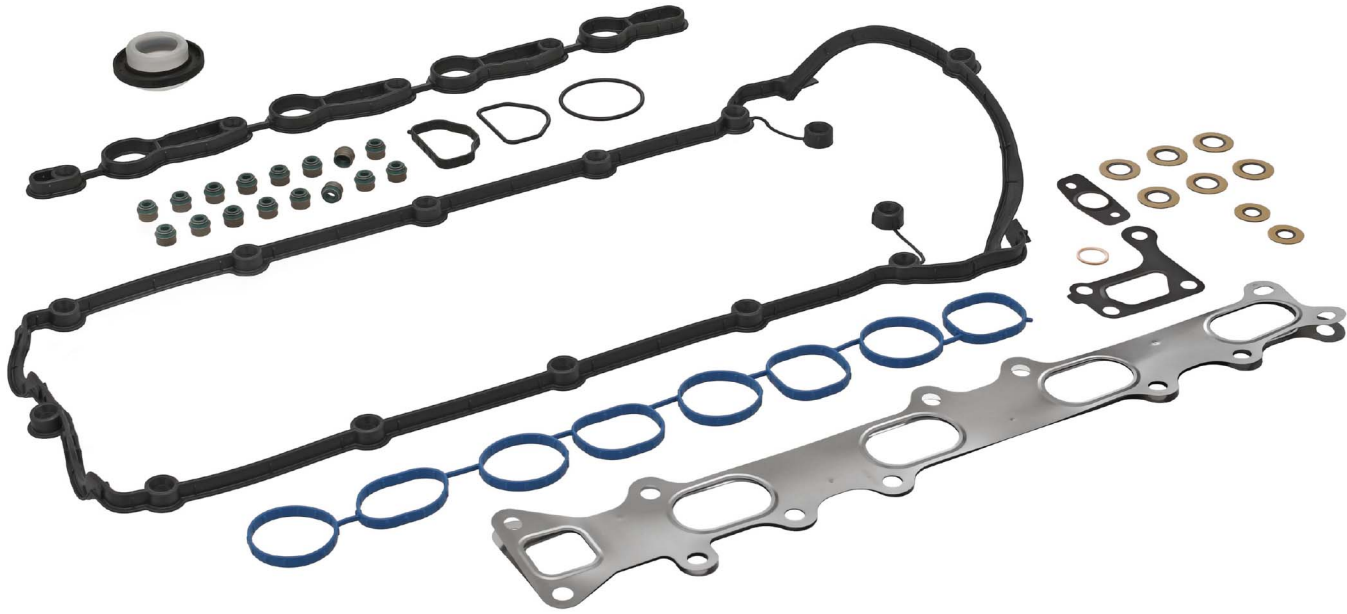
**GASKET SETS**



Das Original

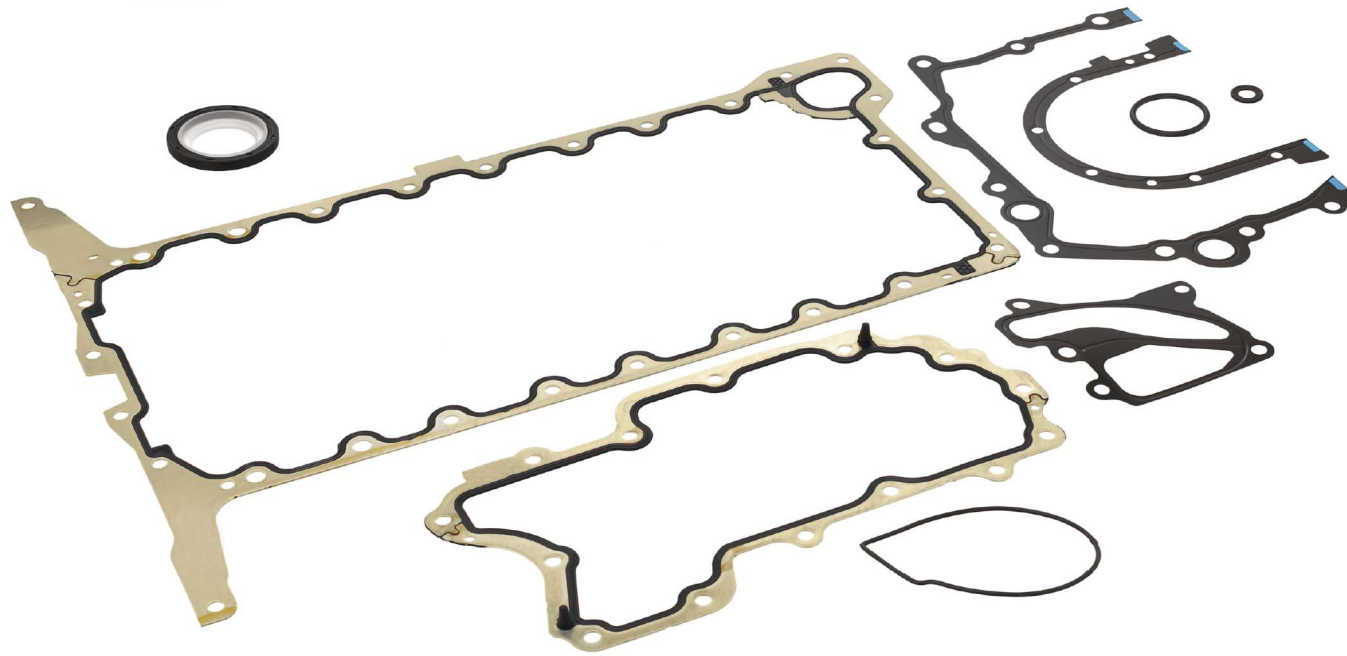
PART NUMBER **GK20021-U**

SCAN QR FOR COMPONENTS 



PART NUMBER **GK20021-L**

SCAN QR FOR COMPONENTS 



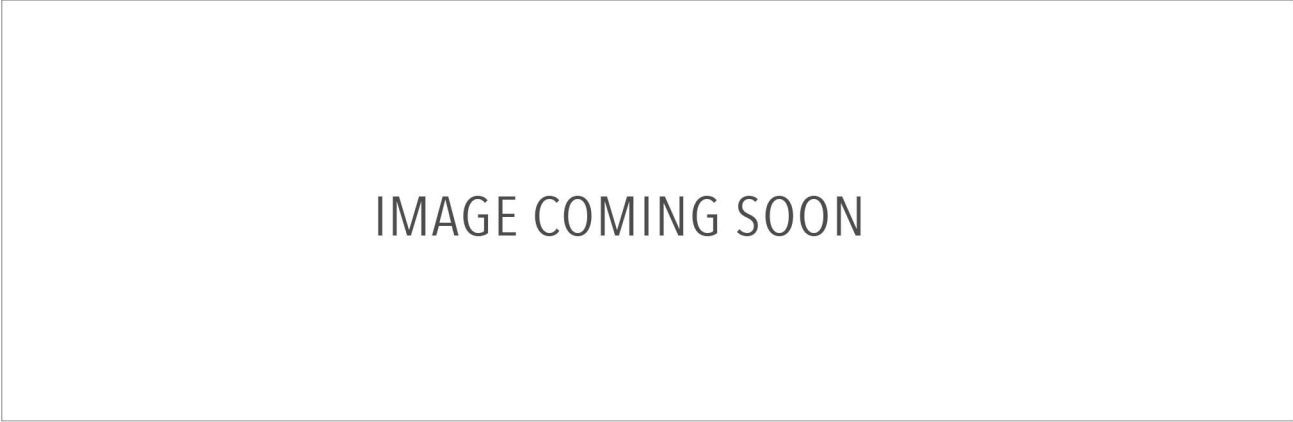
**GASKET SETS**



Das Original

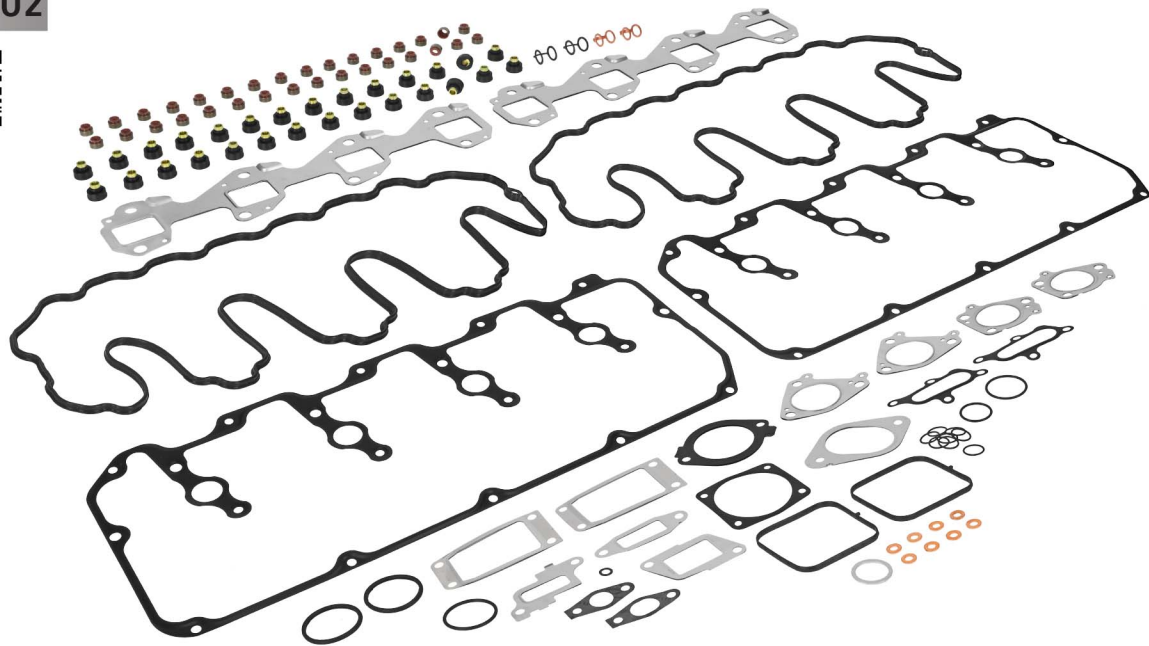
PART NUMBER **GK20025-U1**

SCAN QR FOR  
COMPONENTS



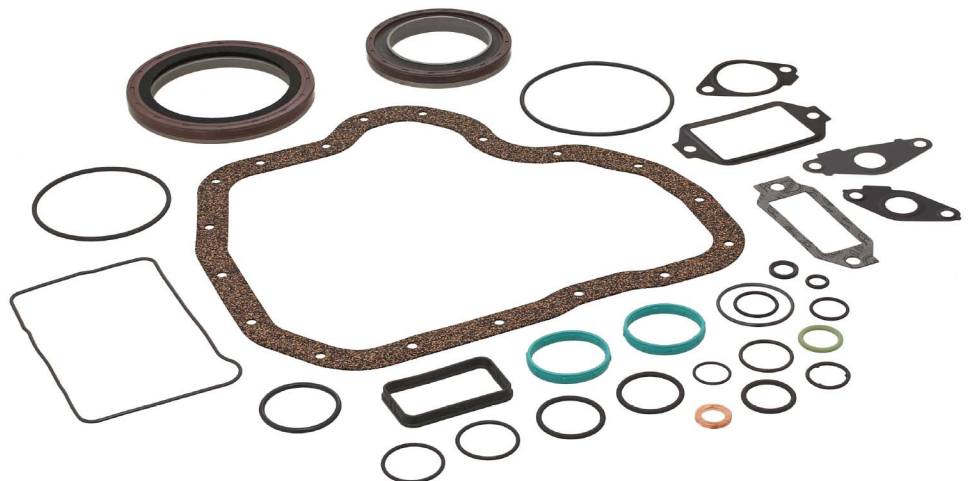
PART NUMBER **GK20025-U2**

SCAN QR FOR  
COMPONENTS



PART NUMBER **GK20025-L**

SCAN QR FOR  
COMPONENTS



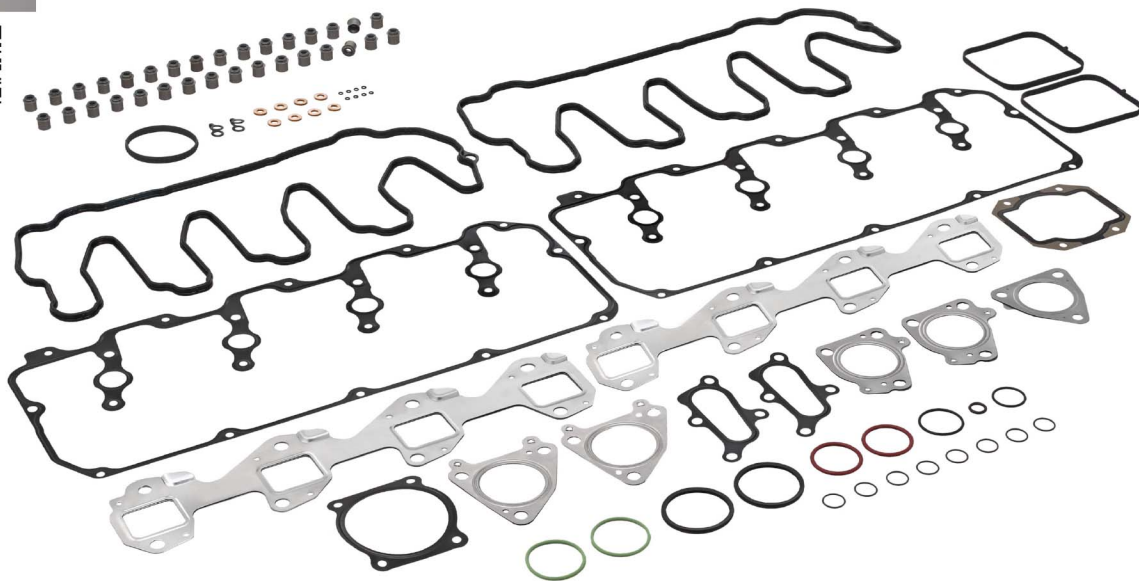
**GASKET SETS**



Das Original

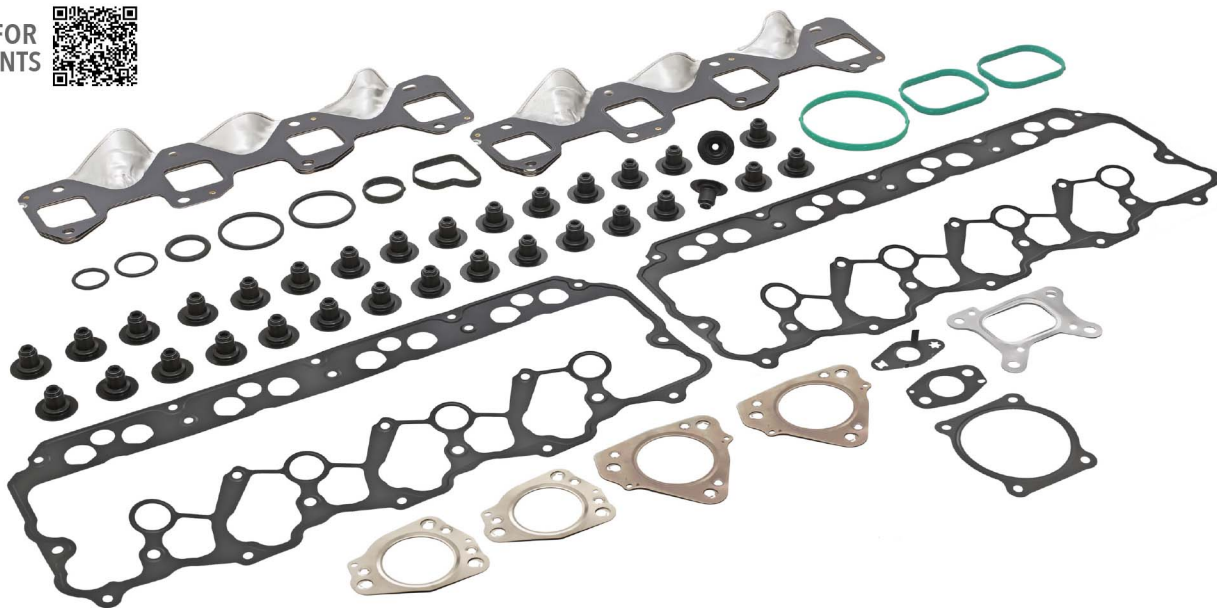
PART NUMBER **GK20027-U**

SCAN QR FOR COMPONENTS



PART NUMBER **GK20028-U**

SCAN QR FOR COMPONENTS



PART NUMBER **GK20028-L**

SCAN QR FOR COMPONENTS

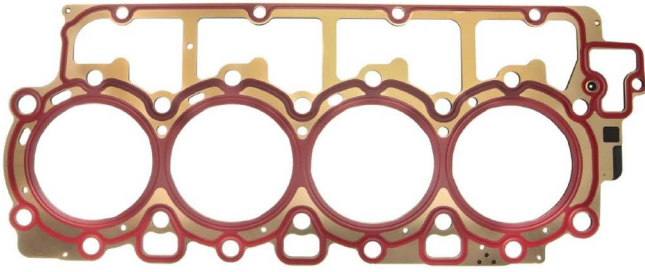


**GASKET SETS**

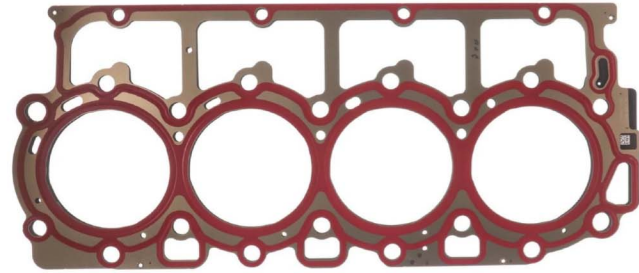


Das Original

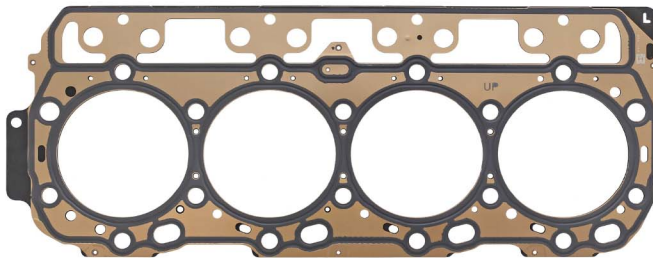
PART NUMBER **HG20018-B**



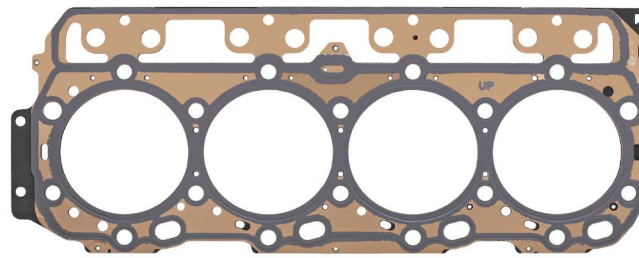
PART NUMBER **HG20018-A**



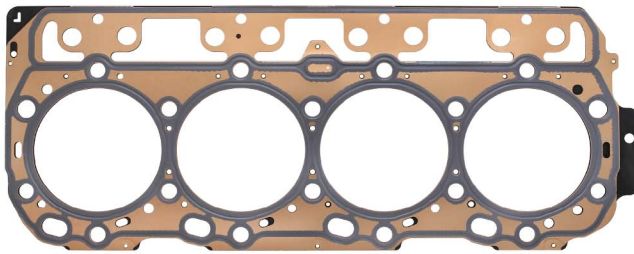
PART NUMBER **541.782**



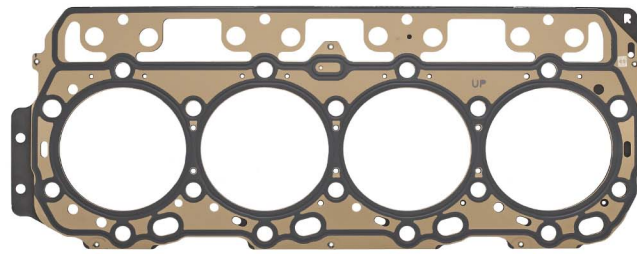
PART NUMBER **541.752**



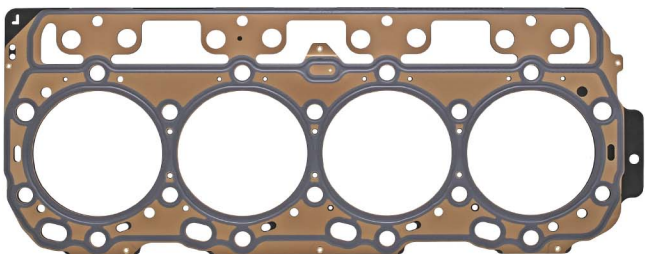
PART NUMBER **541.792**



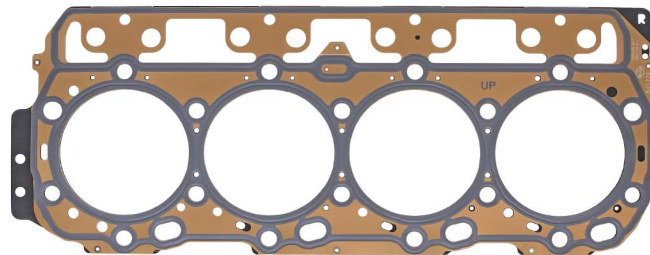
PART NUMBER **541.762**



PART NUMBER **541.802**



PART NUMBER **541.772**



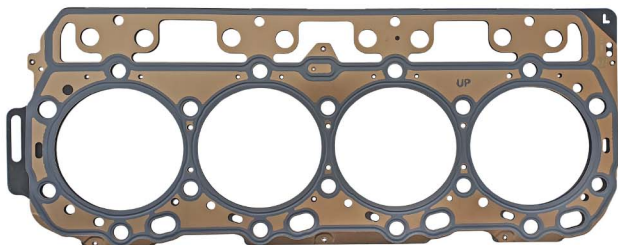
# HEAD GASKET



Das Original

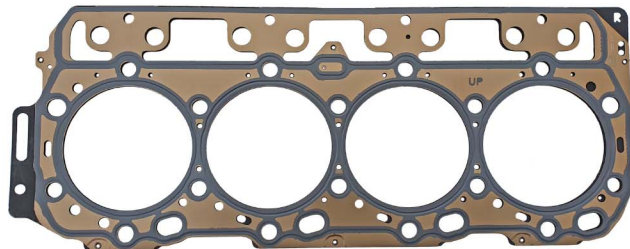
PART NUMBER

355.541



PART NUMBER

355.531



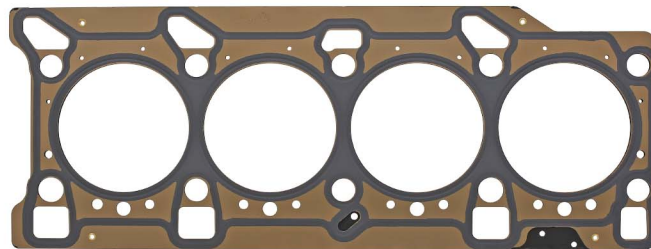
PART NUMBER

279.532



PART NUMBER

279.542



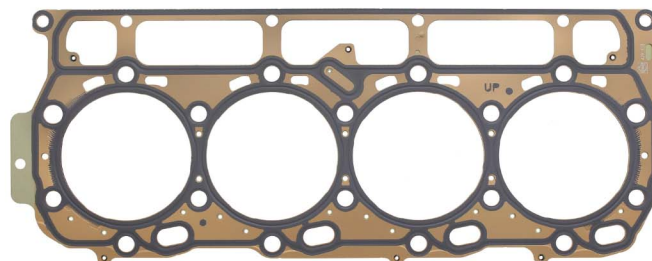
PART NUMBER

279.422



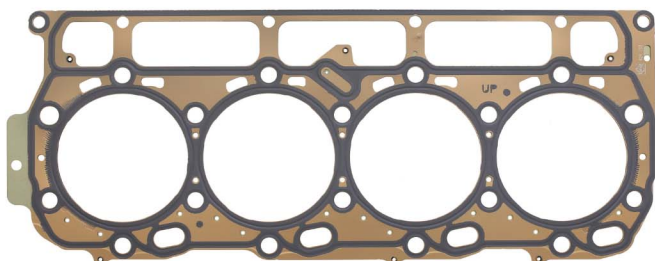
PART NUMBER

429.123



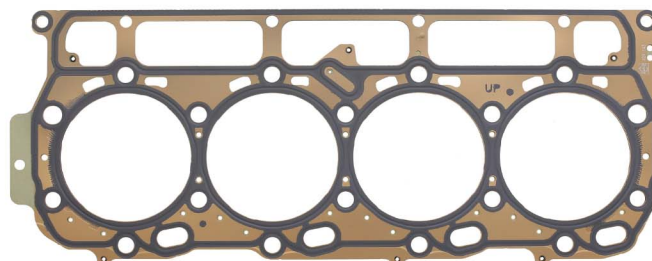
PART NUMBER

429.133



PART NUMBER

429.143



# HEAD GASKET



Das Original

**BUILT AROUND PREMIUM DUALLOY AND ELRING COMPONENTS, *UEM* ENGINE OVERHAUL KITS PROVIDE THE QUALITY AND CONFIDENCE NEEDED FOR A SUCCESSFUL ENGINE OVERHAUL.**

**ACCELERATED BY EXCELLENCE**



**ORDER TODAY.**  
**CALL 800.648.7970**



**WWW.UEMPISTONS.COM**  
**1040 CORBETT STREET CARSON CITY, NV 89706**