

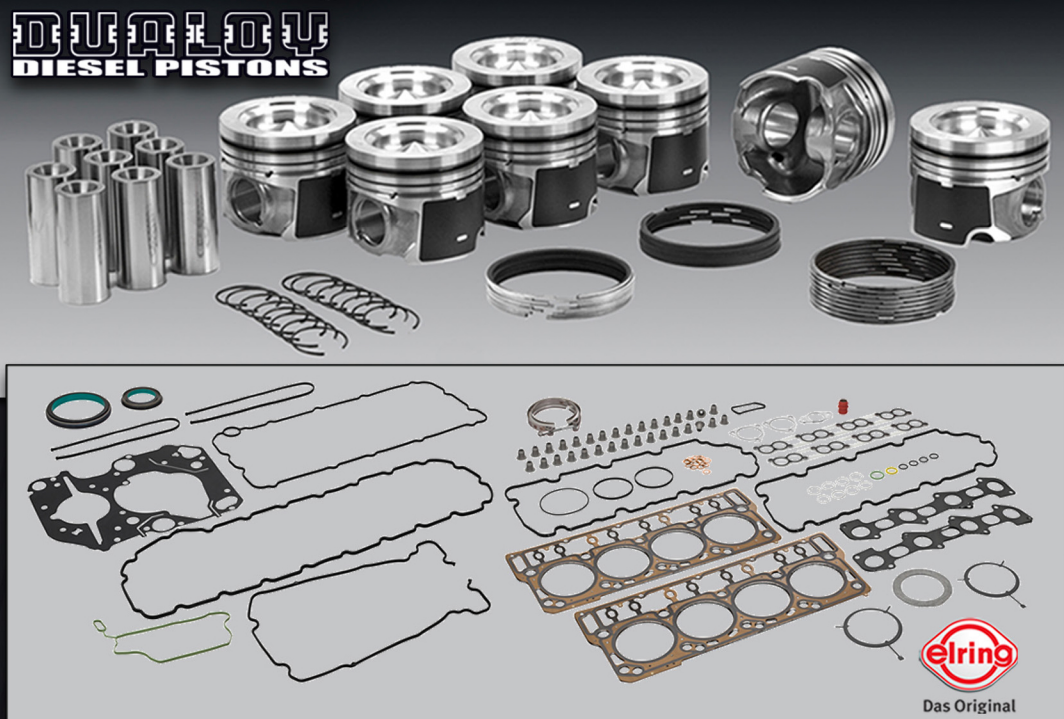


ENGINE OVERHAUL KITS

For Light & Medium Duty Diesel Truck Engines



- New UEM Engine Overhaul Kits include *Dualoy* pistons, pins, locks, rings and a premium *Elring* overhaul gasket set.
- The industry leading components supplied in these kits allow the Engine Builder to meet or exceed OE performance.



Premium Quality - Outstanding Availability

UEM DUALOY ELRING ENGINE OVERHAUL KIT APPLICATIONS

3.0L/182ci DODGE/MERCEDES-BENZ SPRINTER
2007-2020 Dodge/Mercedes-Benz Sprinter V6 EXM, OM642.896/.898/.899
3.0L/182ci DODGE/RAM VM Motori Engine
2014-2019 Dodge Ram EcoDiesel EXF
3.9L/239ci DODGE/RAM
1994-1998 Dodge Ram (I4) / 16V 4BT Cummins
5.9L/369ci DODGE/RAM
1984-1998 Dodge Ram 2500-3500 (ETB) VIN:D / 12V 6BT Cummins
1998-2002 Dodge Ram 2500-3500 (ETC) VIN:6 / 24V Non-HO ISB Cummins
1998-2002 Dodge Ram 2500-3500 (ETH) VIN:7 / 24V HO ISB Cummins
2003-2004 Dodge Ram 2500-3500 (ETC) VIN:6 / 24V Non-HO ISB Cummins
2003-2004 Dodge Ram 2500-3500 (ETC) VIN:C / 24V HO ISB Cummins
2005-2009 Dodge Ram 2500-3500 (ETH) VIN:C / 24V HO ISB Cummins
6.7L/409ci DODGE/RAM
2007-2018 Dodge Ram 2500-5500 (ETJ/ETK) VIN:A,L / 24V ISB Cummins
2009-2013 Dodge Ram (QSB) 24V ISB Cummins
2013-2018 Dodge Ram 2500-5500 (ETK) VIN:L / 24V ISB Cummins
2019-2024 Dodge Ram 2500-5500 (ETL/ETN) VIN:L / 24V ISB Cummins
2019-2024 Dodge Ram 2500-5500 (ETM/HO) VIN:L / 24V ISB Cummins
6.0L/363ci FORD
2003-2004 Ford F250 - F550 VIN: P / Navistar VT365 Power Stroke
2004-2007 Ford F250 - F550 & 2004-2010 E250-E450 VIN:P / Navistar VT365 Power Stroke

6.4L/390ci FORD
2008-2010 Ford F250 - F550 VIN: R / Navistar Power Stroke
2008-2016 Ford F250 - F550 / Navistar MaxxForce 7 Power Stroke
6.7L/406ci FORD
2011-2016 Ford F250 - F550 VIN: T / Scorpion 34mm Pin Power Stroke
2017-2020 Ford F250 - F550 VIN: T / Scorpion 35mm Pin Power Stroke
7.3L/445ci FORD
1994-2003 Ford F250 - F550, E350 - E550 VIN: F / Navistar T444E Power Stroke
2.8L/169ci GENERAL MOTORS
2016-2022 GM Truck 2500 - 3500 VIN: Y / Duramax LWN
3.0L/183ci GENERAL MOTORS
2019-2023 GM Truck 2500 - 3500 VIN: T / Duramax LM2
6.2L/379ci GENERAL MOTORS
1982-1993 GM Detroit Diesel VIN: C,J
6.5L/395ci GENERAL MOTORS
1992-2002 GM Truck 2500 - 3500 VIN: F,Y / Duramax L57/L65
6.6L/403ci GENERAL MOTORS
2001-2005 GM Truck 2500 - 3500 VIN: 1,2 / Duramax LB7/LLY
2006-2010 GM Truck 2500 - 3500 VIN: D,2,6 / Duramax LBZ/LMM/LLY
2010-2017 GM Truck 2500 - 3500 VIN: L,8 / Duramax LML/LGH
2017-2023 GM Truck 2500 - 3500 VIN: Y / Duramax L5P

